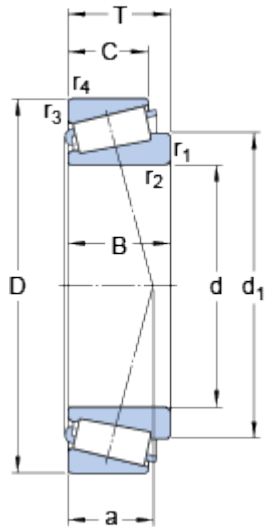


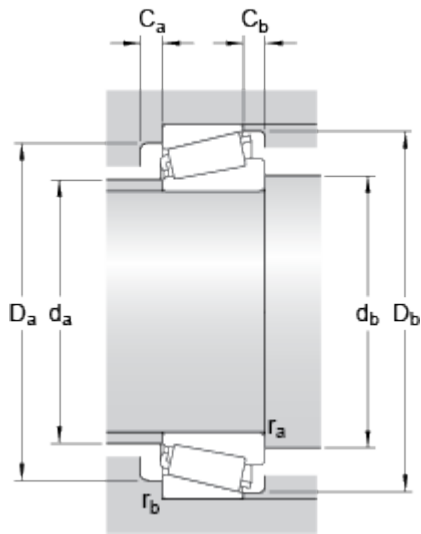
33014

Dimensions



d		70	mm
D		110	mm
T		31	mm
d ₁	≈	88.95	mm
B		31	mm
C		25.5	mm
r _{1,2}	min.	1.5	mm
r _{3,4}	min.	1.5	mm
a		23	mm

Abutment dimensions



d _a	max.	78	mm
d _b	min.	77	mm
D _a	min.	98	mm
D _a	max.	103	mm
D _b	min.	105	mm
C _a	min.	5	mm
C _b	min.	6	mm
r _a	max.	1.5	mm
r _b	max.	1.5	mm

Calculation data

Basic dynamic load rating	C	130	kN
Basic static load rating	C ₀	196	kN
Fatigue load limit	P _u	22.8	kN
Reference speed		4300	r/min
Limiting speed		5600	r/min
Calculation factor	e	0.28	
Calculation factor	Y	2.1	

Calculation factor

Y_0

1.1

Mass

Mass bearing

1.073

kg